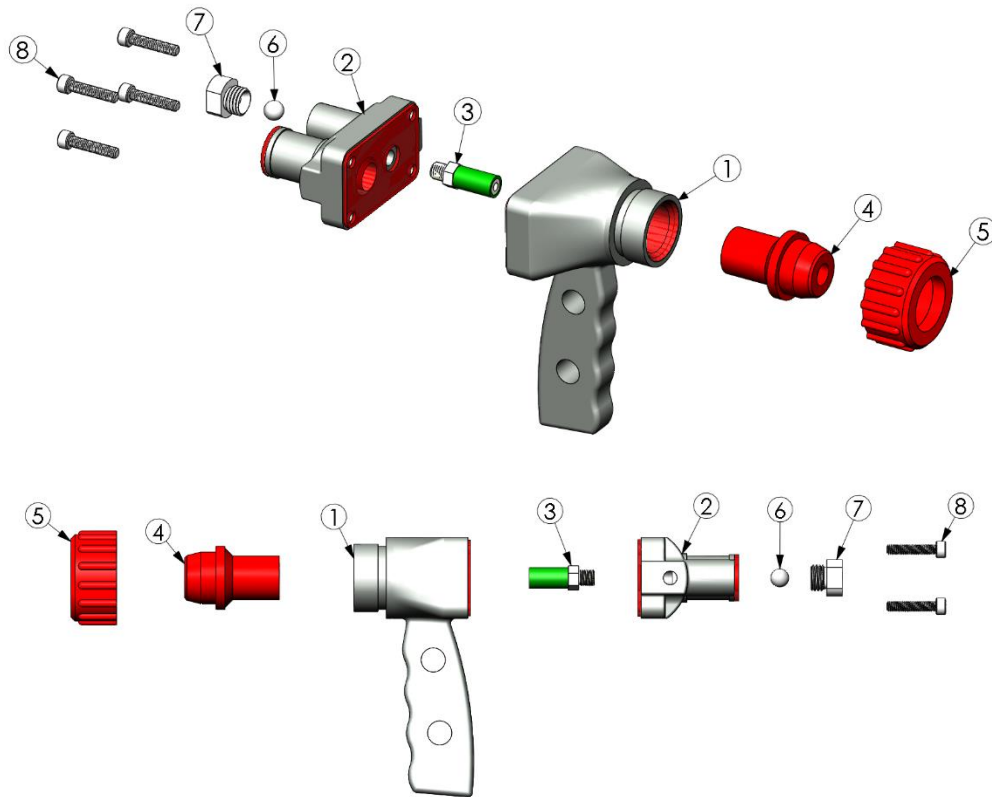


MK XI PROCESS GUN



ITEM	QTY	PART ID	DESCRIPTION	PREVIOUS PART ID
1	1	101041	GUN BODY, FRONT HALF MK XI	20432
2*	1	101077	GUN BODY, REAR HALF MK XI (WAS 2043 & 101019)	20433/101019
3**	1	*	AIR JET	*
4***	1	**	NOZZLE	**
5	1	101015	NUT, NOZZLE	20200
6	1	101049	NONRETURN BALL	01-2048
7	1	310014	VALVE SEAT	20226
8	4	NPN	SCREW, GUN BODY M6 X 25.2 MM	NPN

2* 20433/101019 has been replaced by part number 101077. The air hose that feeds the blast gun must be changed to a ½" ID as well as the fitting that connects the air hose to the delivery pipe when installing the new rear half gun body for the first time.

3 AIRJET OPTIONS:**

101061	AIR JET, 17/64 MK XI WAS 20222 (USE WITH 101068 NOZZLE)
101031	AIR JET, 3/16 MK XI WAS 20297 (USE WITH 101009 NOZZLE)

4* NOZZLE OPTIONS:**

101068	NOZZLE, 1/2" W/JACKET WAS 01-200A (USE WITH 101019 AIRJET)
101009	NOZZLE 3/8" W/JACKET WAS 197-700043-2 (USE WITH 101031 AIRJET)

GUN ASSEMBLIES:

101078	GUN, MK XI <u>COMPLETE</u> 1/2 NOZZLE, 17/64 WAS 20431-1 & 101073
101079	GUN, MK XI <u>W/O</u> NOZZLE, 17/64 AIRJET WAS 20431 & 101035
101080	GUN, MK XI <u>COMPLETE</u> 3/8 NOZZLE, 3/16 WAS 20431-1A & 101074
101081	GUN, MK XI <u>W/O</u> NOZZLE, 3/16 AIRJET WAS 101075

NOTE: COMPLETE GUN ASSEMBLIES INCLUDE ITEMS 1-8

Contact your Guyson Customer Service Representative for Application Assistance and Current Pricing!

Phone:800-633-6677 or 518-587-7894
Email:custsvc@guyson.com